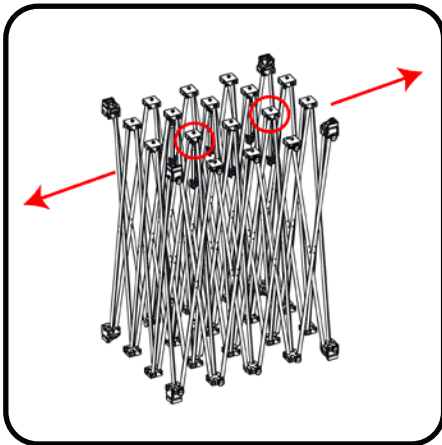
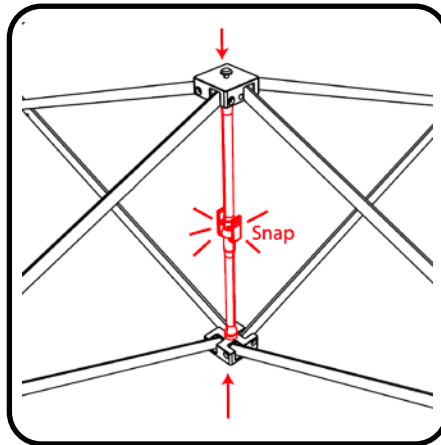


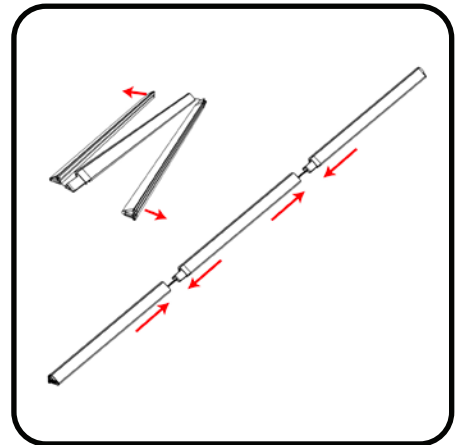
SEG POP-UP



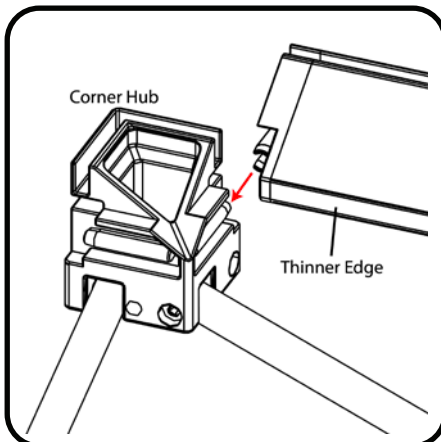
1. Open frame - Lay flat



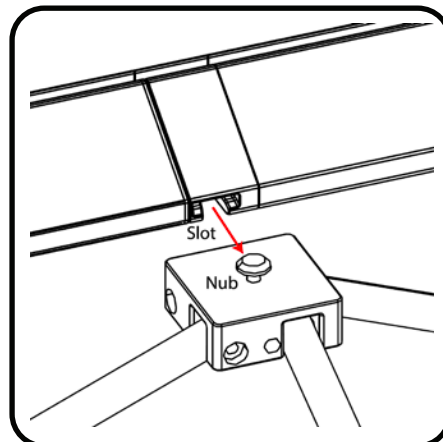
2. Connect all frame locks



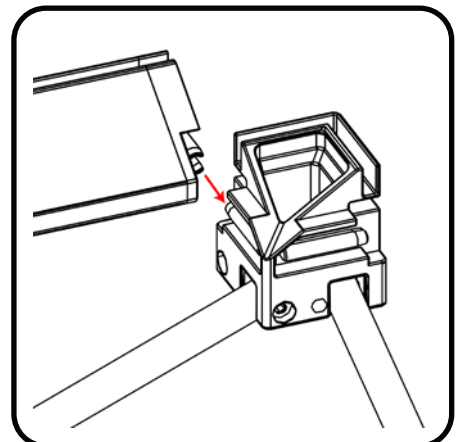
3. Unfold and assemble all channel bars



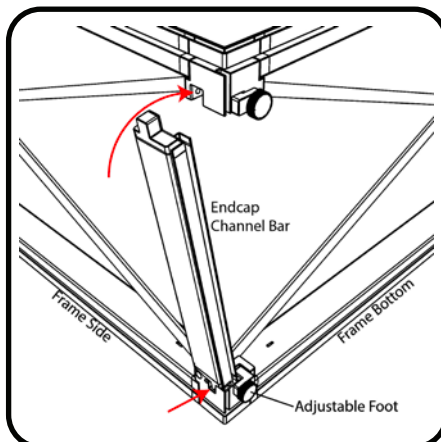
4A. Connect channel bar to corner hub



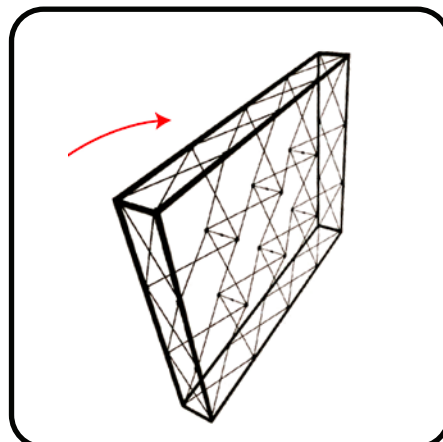
4B. Connect channel bar to center hubs



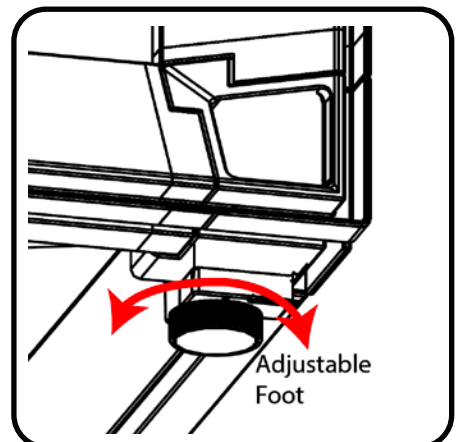
4C. Connect channel bar to opposite end corner hub.
• Repeat for all channel bars



5. Snap EndCap channel bars into sides

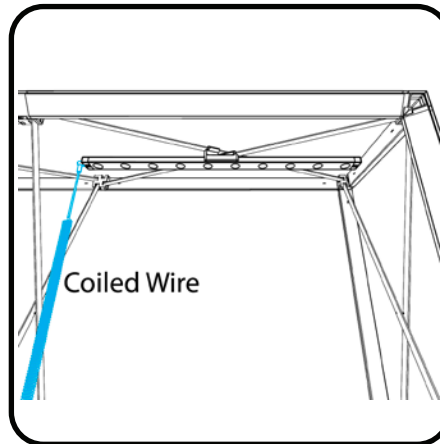
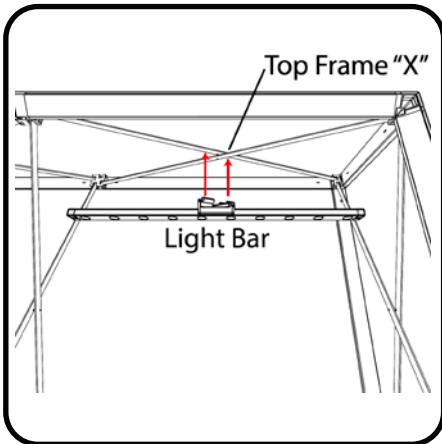


6. Carefully stand frame up



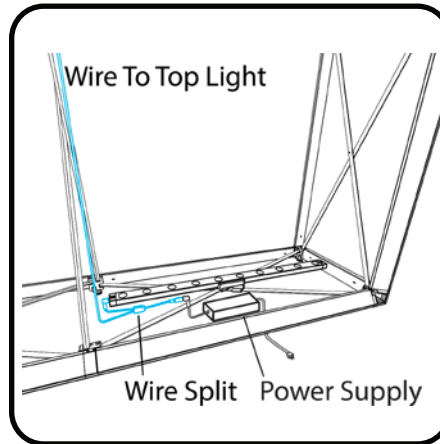
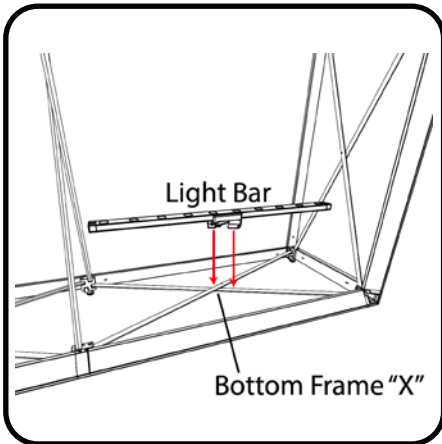
7. Adjust feet as needed

SEG POP-UP



8. Snap a Light Bar onto the center of the "X" at the top of the frame.

9. Connect the coiled end of the wire to the Light Bar.

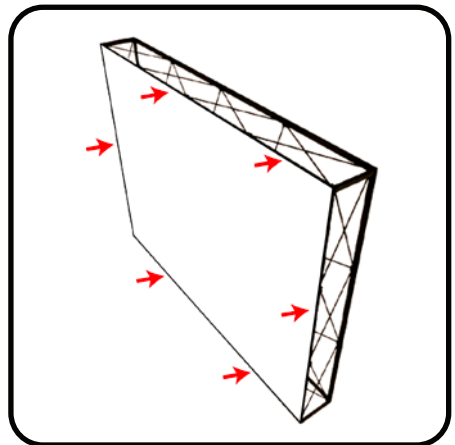
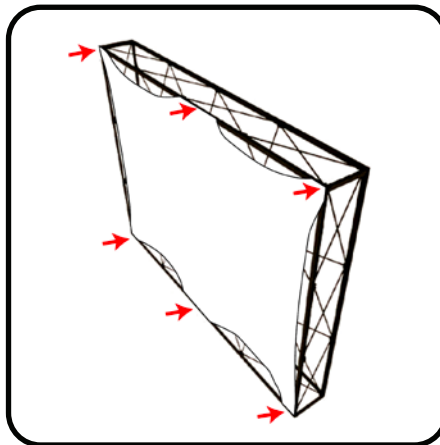
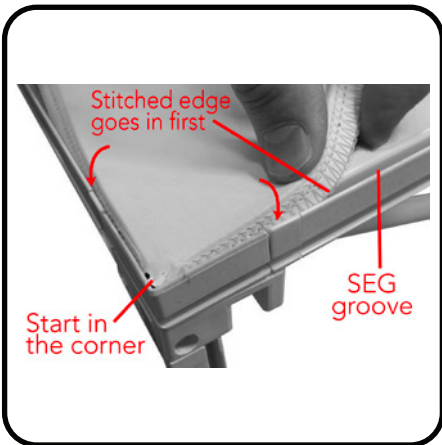


10. Snap another Light Bar onto the center of the "X" at the bottom of the frame.

11. Connect male end of wire split to the Light Bar.

Connect female end of the wire split to power supply.

Repeat for all Light Bars.



12. Install all graphic and light blocker panels. Begin by tucking the corners and midway across the top and bottom.

