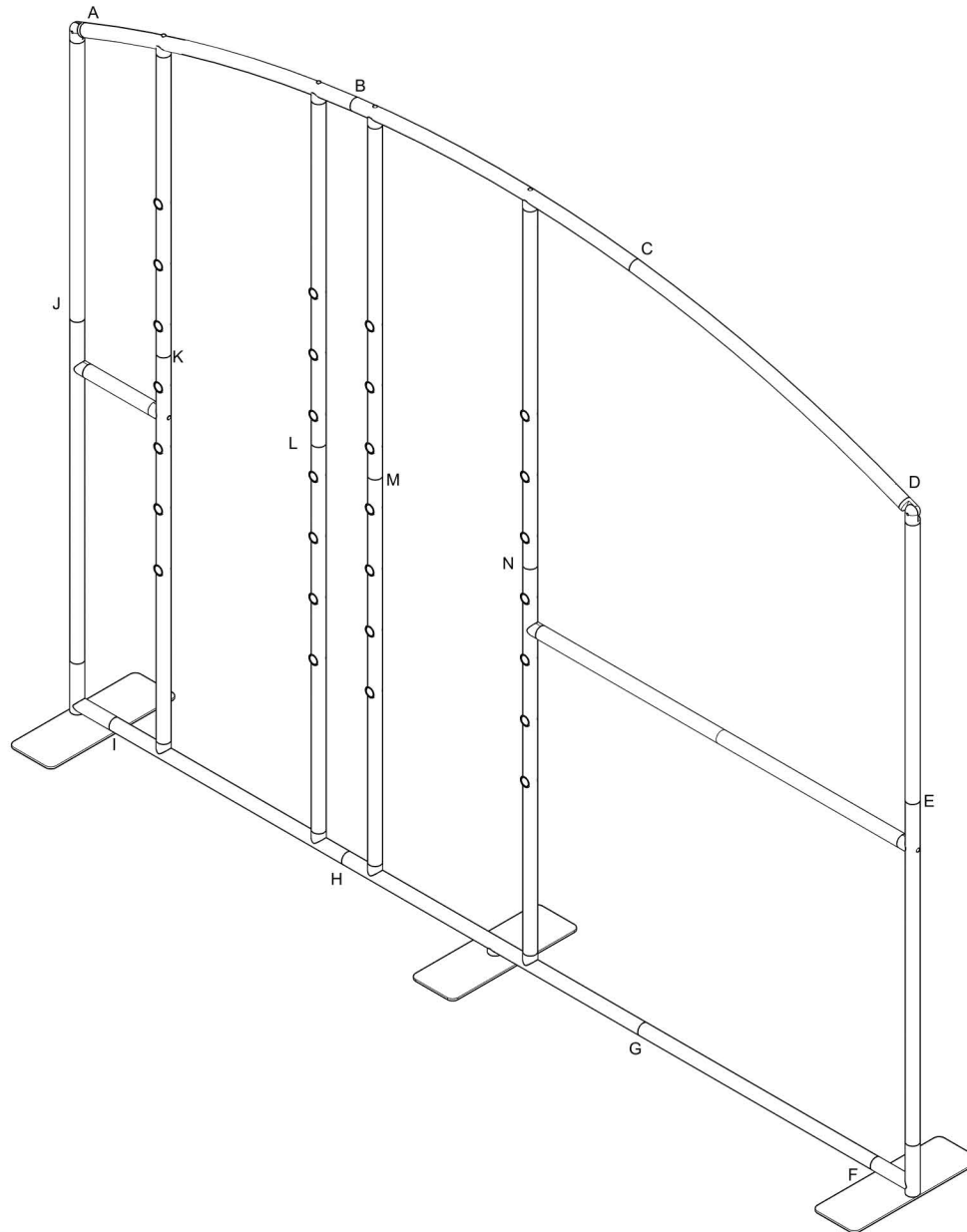


TYPE: KLIK CENTER ARCH BACKWALL
GRAPHICS: PRINTED
CONSTRUCTION: PILLOWCASE
FABRIC SKIN: HEAVYKNIT

Assembly Set Up Instructions

PARTS LIST (PER UNIT)

- 4 STRAIGHT V-TUBES
- 3 STRAIGHT H-TUBES
- 3 CURVED H-TUBE
- 8 MAGNET V-SPACERS
- 3 STRAIGHT H-SPACERS
- 3 ALUMINUM FEET
- 1 PRINTED GRAPHIC
- 1 TOOLKIT
 - 2 PAIRS OF GLOVES
 - 1 SCREW DRIVER
 - 2 PHILLIPS SCREWS



1. REMOVE ALL ITEMS FROM PACKAGING ONTO A CLEAN AREA, LAY OUT TUBE ACCORDING TO DIAGRAM.
2. ASSEMBLE ALL BUNGEE-CORDED TUBES. ROTATE UNTIL SPRING LOCK SNAPS INTO PLACE.
3. ALIGN MATCHING LABELS TO ONE ANOTHER ROTATE TUBES UNTIL SPRING LOCKS SNAP IN PLACE.
4. USING PROVIDED SCREWS ATTACH SPACERS TO FRAME THROUGH PRE-DRILLED HOLES.
5. PLACE VINYL STICKERS OVER SCREWS FOR MAGNET CONNECTORS TO AVOID TEARING GRAPHIC.
6. WEARING THE GLOVES PROVIDED, SLIDE THE FABRIC PILLOWCASE OVER THE FRAME STARTING ALONG THE TOP.
7. ALIGN THE GRAPHIC SO THE ALUMINUM FOOT FITTINGS ARE ACCESSIBLE THROUGH THE SEWN HOLES IN THE FABRIC. ZIP CLOSED ALONG THE BOTTOM.
8. USING THE PROVIDED SCREWS, ATTACH THE ALUMINUM FEET.
9. CAREFULLY STAND UP AND MOVE FRAME INTO DESIRED LOCATION.