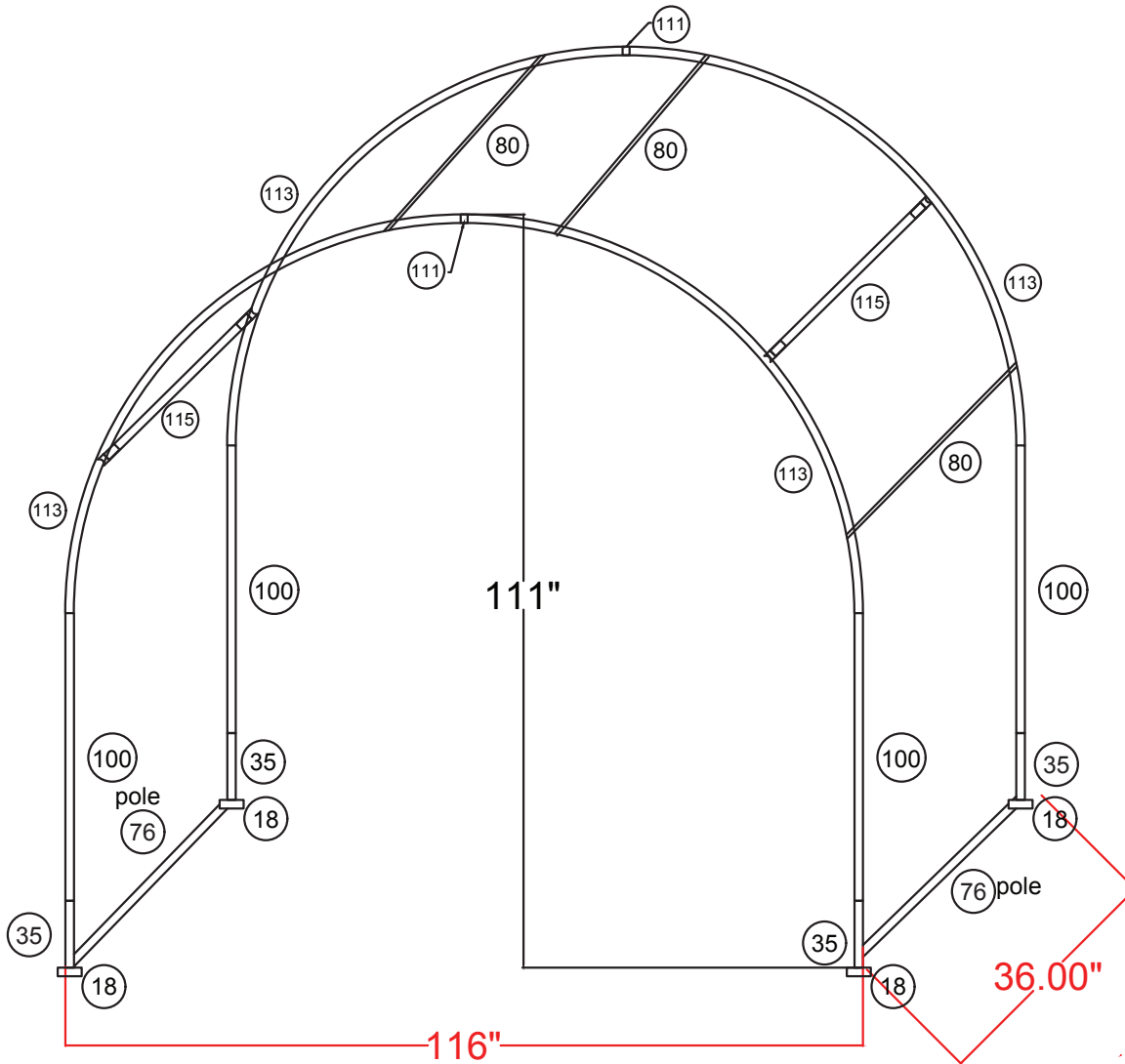


WAVELINE®

ARCH13T



- Assemble both outer rings
- Install base poles
- Install all horizontal poles
- Pull graphics from one end to the other slowly, making sure to evenly covering frame

36"w x 111"h Curved Arch Display	
Qty.	Part Number
4	WLM#35
4	WLM#113
4	WLM#100
2	WLM#76
2	WLM#115
4	WLM#080
1	BGO-FabricL bag
2	WLM#111
4	WLM#18

Fits inside qty. 1 CA900