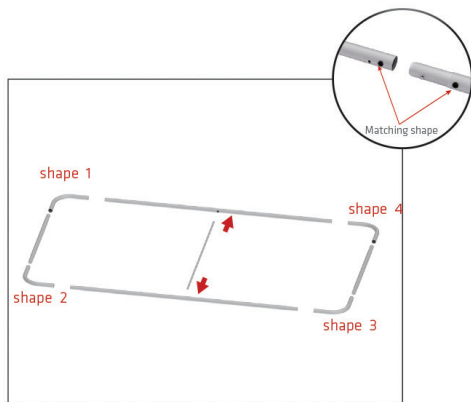
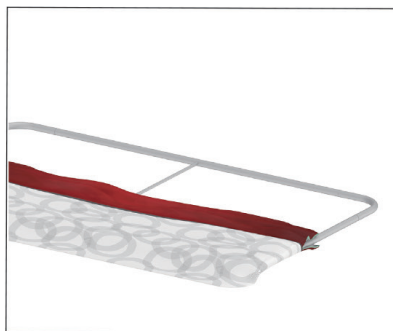


WAVELINE® Double Stand

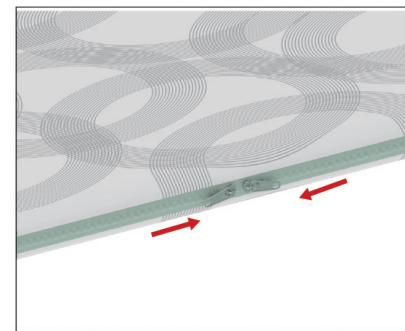
Setup Instructions - Large - 116.2"W x 40.6"H



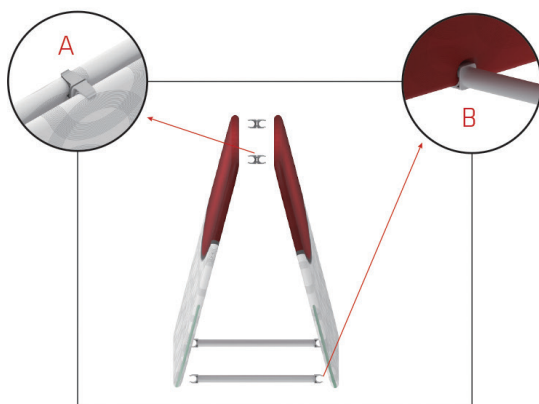
1. Assemble the different sections of the frame by matching the shapes on the poles.



2. On a clean surface unzip the print and slide it onto the assembled frame.



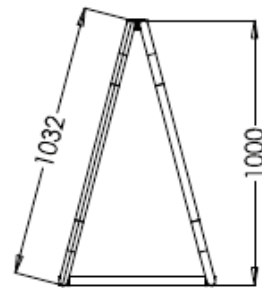
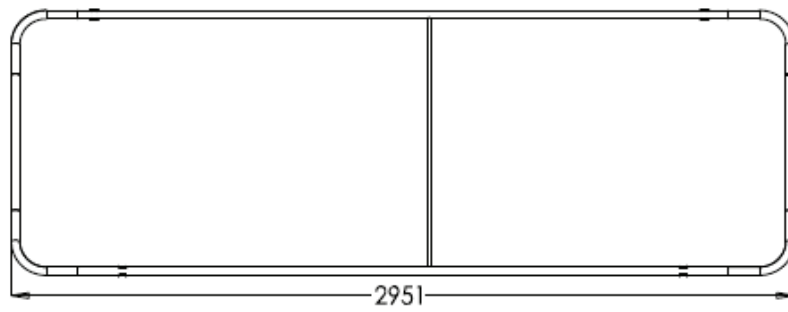
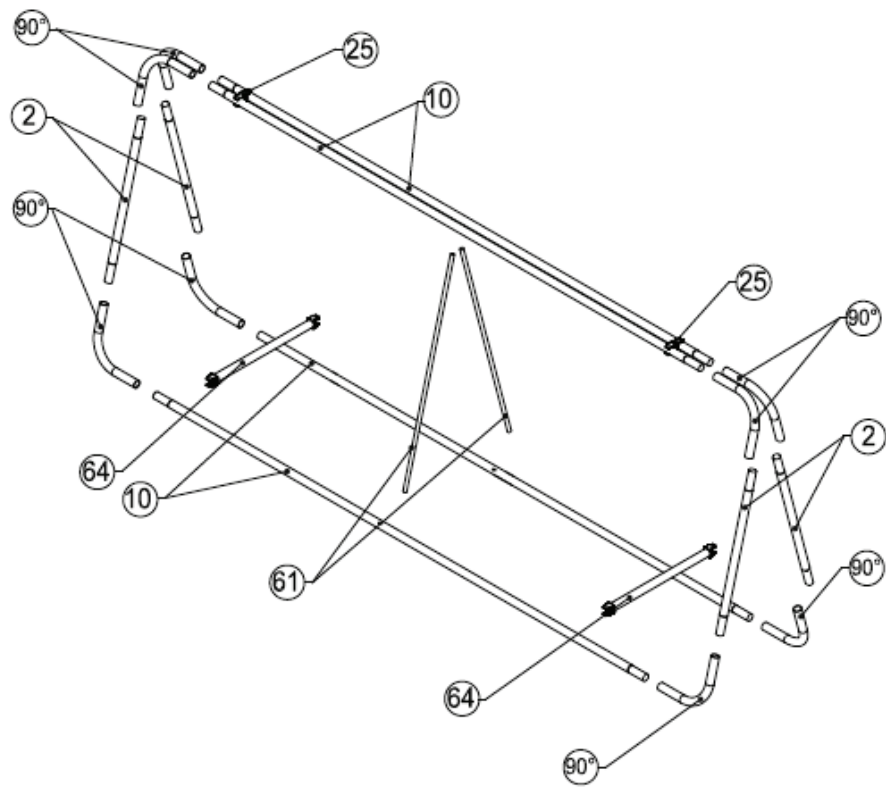
3. Once the fabric is all the way onto the frame zip it shut.



4. Connect the two frames together from the top using two plastic clamps (A). Then connect the frames from the bottom using two aluminum poles (B).



Connect feet. (if applicable)



Qty:

90°	8
02	4
10	4
25	2
64	2
61	2