

Maintenance:

No regular maintenance is required for this unit.

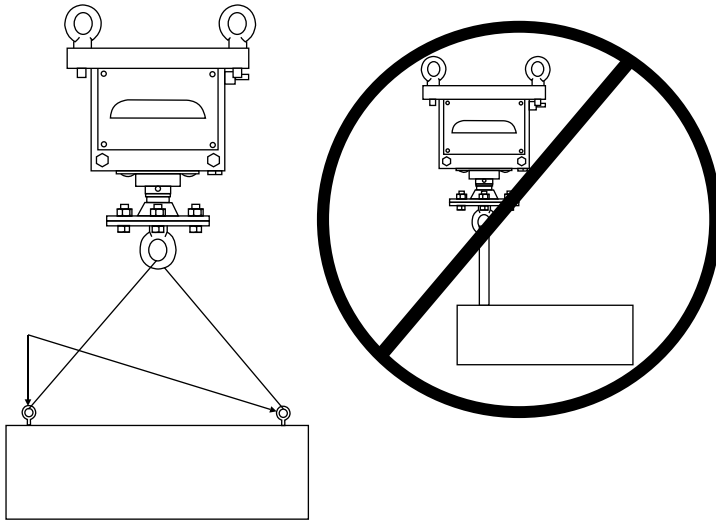
Installation and Maintenance Instructions

Questions? Call our team for help

For ALL installations:

- Display or sign load **MUST** be balanced.
 - Do **NOT** exceed rated capacity of unit.
-

Display or Sign hanging from Rotator:





- Max hanging weight = 100 lbs
 - Eyebolts can be added for rigging.
 - Hanging load **MUST** be balanced and centered under unit.
 - Use wire rope to allow hanging sign to self-balance.
 - Do **NOT** allow bare wire rope to rub on eyebolt.
 - Wire rope should be protected to prevent fraying or failure.
-

Model Cyclone-2 Hang

Electrical Connections

Questions? Call our team for help

⚠ WARNING	
	Disconnect power before servicing or installing. Do not touch any electrical components while unit is connected to power source.
	Keep hands clear while operating. Read installation and maintenance instructions prior to operation.

