

Model Cyclone-5 Hang

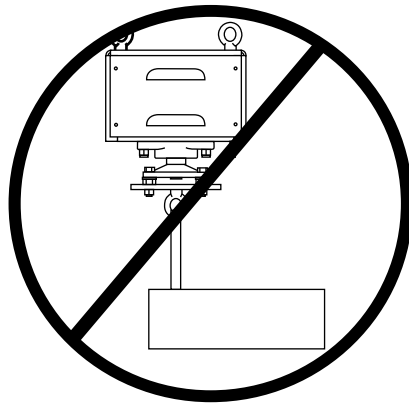
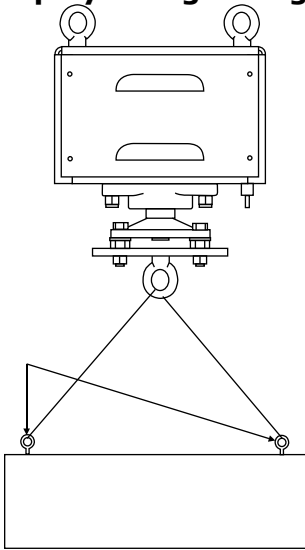
Installation and Maintenance Instructions

Questions? Our team is available to assist.

For ALL installations:

- Display or sign load MUST be balanced.
 - Do NOT exceed rated capacity of unit.
-

Display or Sign hanging from Rotator:






- Max hanging weight = 300 lbs
 - Eyebolts can be added for rigging.
 - Hanging load MUST be balanced and centered under unit.
 - Use wire rope to allow hanging sign to self-balance.
 - Do NOT exceed weight rating of rotator.
 - Do NOT allow bare wire rope to rub on eyebolt.
 - Wire rope should be protected by an eyebolt to prevent fraying or failure.
-

Maintenance:

No regular maintenance is required for this unit.

Questions? Call our team for help

|  WARNING | |
|--|--|
|  | Disconnect power before servicing or installing. Do not touch any electrical components while unit is connected to power source. |
|  | Keep hands clear while operating. Read installation and maintenance instructions prior to operation. |

