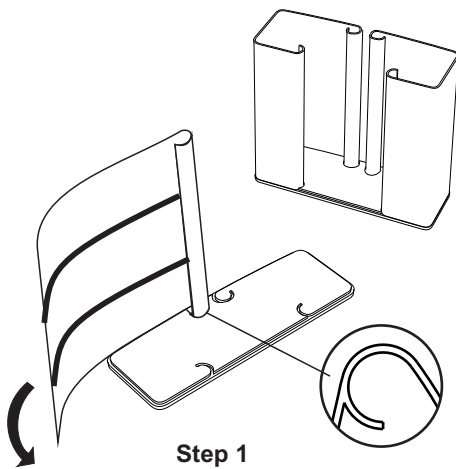
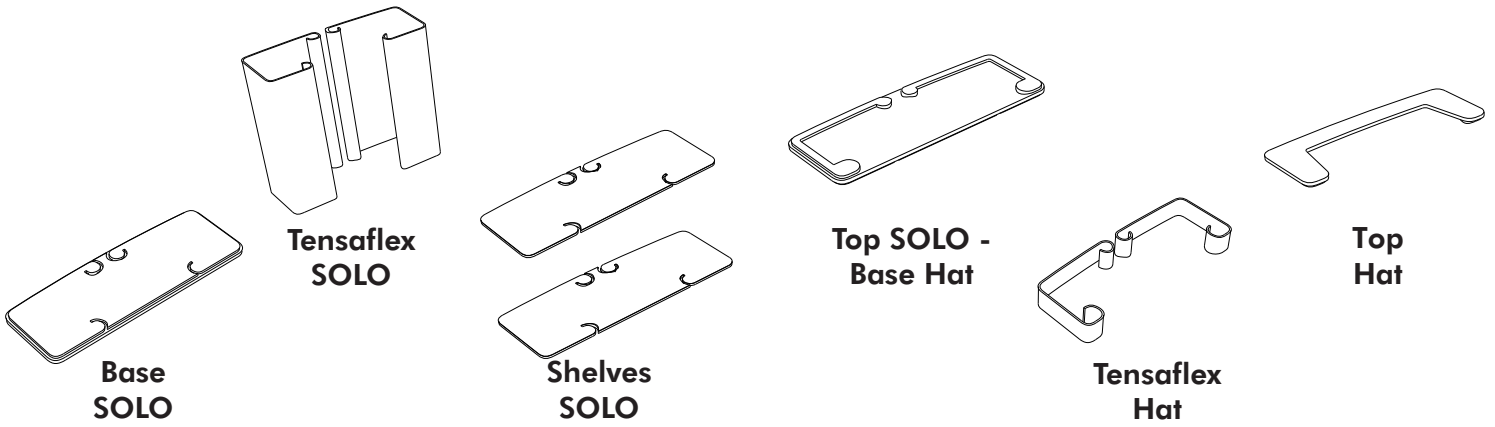
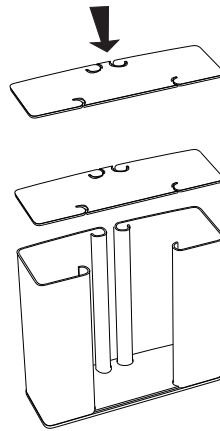


# Instructions for SOLO BAR

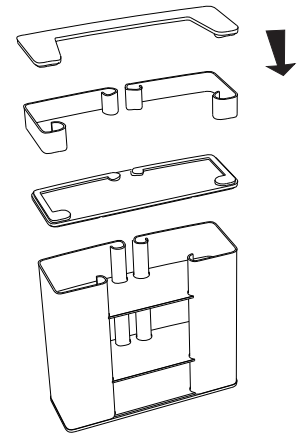
## PARTS



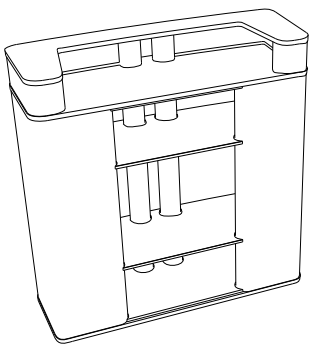
Step 1



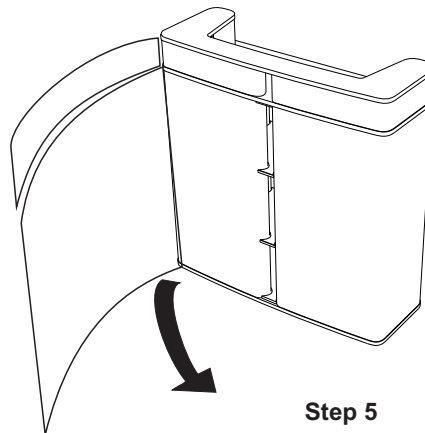
Step 2



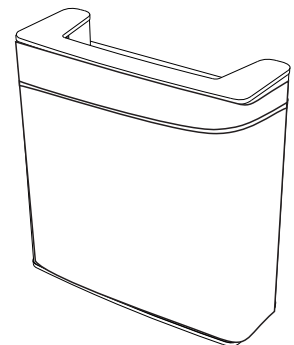
Step 3



Step 4



Step 5



Step 6

**GLOBOTECH**

[www.globotech.com](http://www.globotech.com)

US Patent: 10/518,476  
Colombian Patent: 02-054.774  
Australian Patent: 2003242928

Brazilian Patent: PI03121968-4  
European Community Patent: 03760840.3  
Mexican Patent: Pa/a/2005/000032, No 254022